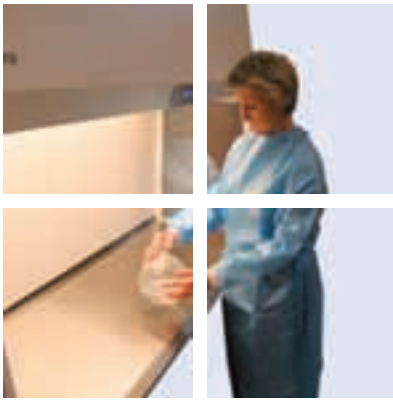


SCANLAF

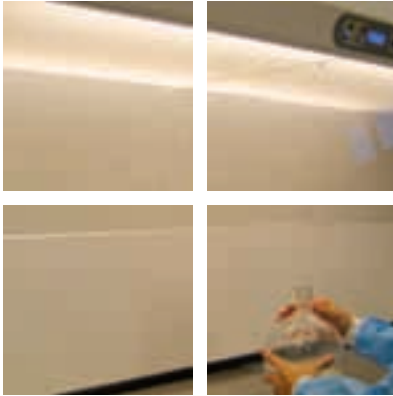
Fortuna



***Down flow
clean air cabinet
Star of the Universe***



High, sloping front window



Excellent light distribution.



Highest Safety with large viewing area



Clean room technology

Comfort with Protection

Operator comfort is of the highest importance and is a high priority for us. The operator is more comfortable and more relaxed, leading to longer working periods if required. Less disturbance ensures clean air conditions are maintained for the product. Fortuna is designed for improved operator comfort and better clean air conditions.

Low noise level - less than 52 dB(A)

Lower noise levels lead to a pleasant working environment for the operator and other lab personnel. This also allows for longer working periods. The cabinet can be switched to a reduced speed mode ensuring it is always ready to use with a noise level less than 48 dB(A).

High sloping front window

The high front window slopes at 10 degrees away from the operator giving an ergonomically correct seating position. This gives an ideal view of the working area for the operator. Supervisors can easily view work procedures if necessary.

Excellent light distribution

A combination of natural light through the side windows, and high intensity diffused light from the laminator source, ensures the work area is well lit at all times. A light damping facility allows adjustment of light levels from 0 to 2000 Lux to suit all work conditions.

Height adjustable stands

The compact cabinet design ensures excellent posture when seated. When working standing up, the low height of the cabinet allows the working height to be positioned up to 1 meter high in rooms with ceilings of 2.5 m. This allows for full use of the electrically adjustable stands to suit all operator heights. The cabinet can also be wall mounted to save space and for easier room cleaning – ideal in clean rooms.

Clean room design

Clean room design technology has been used in the design of the cabinet. There is a minimum of welded seams with no screwed joints ensuring smooth, easy to clean surfaces both inside and out.

The cabinet can be mounted on a wall, saving the need for a support frame, or integrated into the room design to allow for easier room cleaning. It is ideal for use in existing Classified Clean Rooms.

Filtration

Class H-14 HEPA filters in accordance with EN 1822. Filter efficiency 99.999% against 0.3 µm particle size. 99.995% in MPPS. HEPA filters are protected by a pre-filter for longer life.

Eye level control panel

All cabinet functions can be viewed from either a seated or standing position without upsetting working procedures. The control panel includes functions for reduced speed, resettable hour counter, light intensity adjustment, UV light timer, downflow alarms and service access. The blowers are precisely digitally controlled through the microprocessor giving excellent airflow performance.



High work opening

The normal work opening is fixed at 350 mm. Some applications require other working heights or access to the work area for cleaning or placement of equipment. For these applications, fixed heights up to 550 mm or electrically operated sliding windows or manual hinged windows are available as options.

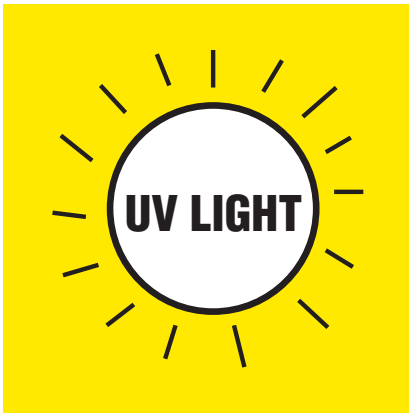


Compact

Being only 690 mm deep, the cabinet can easily be transported through 800 mm doorways. The compact design also saves on valuable laboratory space. The low height ensures it will fit into rooms with ceiling heights below 2.5 m and still allows for electrically adjustable height stands to be used. This is especially important for procedures carried out whilst standing. The cabinet is available in 4 sizes: 900, 1200, 1500 and 1800 mm working widths.

Specifications:

Model	Unit	F-900	F-1200	F-1500	F-1800
Catalogue No.		20698998	20698298	20698598	20698898
External dimensions (D×W×H)	mm	686×1031×1335	686×1331×1335	686×1631×1335	686×1931×1335
Working chamber, dimensions (D×W×H)	mm	564×900×636	564×1200×636	564×1500×636	564×1800×636
Front opening, fixed	mm	350	350	350	350
Support Stand, height	mm	760 - 900	760 - 900	760 - 900	760 - 900
Air velocity, Vertical flow	m/s	0,35	0,35	0,35	0,35
Air velocity, Deviation	±%	10	10	10	10
Flow rate	m ³ /h	800	1100	1300	1500
Noise level, ISO 6081	dB(A)	<52	<52	<53	<53
Light intensity variable	Lux	0-2000	0-2000	0-2000	0-2000
HEPA filters		H-14	H-14	H-14	H-14
Voltage/frequency	V/Hz	230/50	230/50	230/50	230/50
Power	W	300	300	400	500
Fuses	A	8	8	10	10
Net weight	kg	150	160	190	200
Shipping volume	m ³	2,2	2,9	3,5	4,1



UV-light

The UV-light is integrated into the back wall of the work area. It is supplied with a timer function and controlled via the microprocessor. The UV tube can be located close to the work area ensuring it is well irradiated. Safety features prevent exposure by laboratory personnel to harmful UV rays.



Service valves

Service valves can be fitted through the side windows using the pre-prepared holes. They can be mounted either on the left or right hand side. Please specify at time of ordering.



Build-in heating plates and microscopes

The modular design allows the building-in of standard options such as heated work surfaces and / or microscopes offering ergonomically correct seating positions. Work surfaces can be heated either through direct electrical heating or by the use of external circulators.

Support stands

The cabinet can be supplied with a fixed support stand giving a working height of 80 or 90 cms \pm 5 cm. Also available is an easy to operate electrically adjustable stand giving working heights from 70 to 100 cm. The cabinet can also be supplied as a wall hung unit if preferred.



Table tops

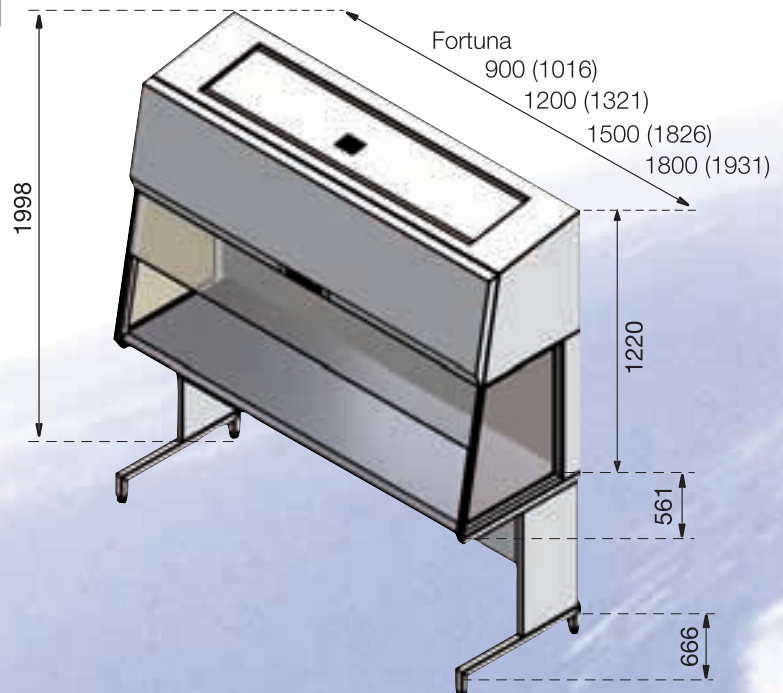
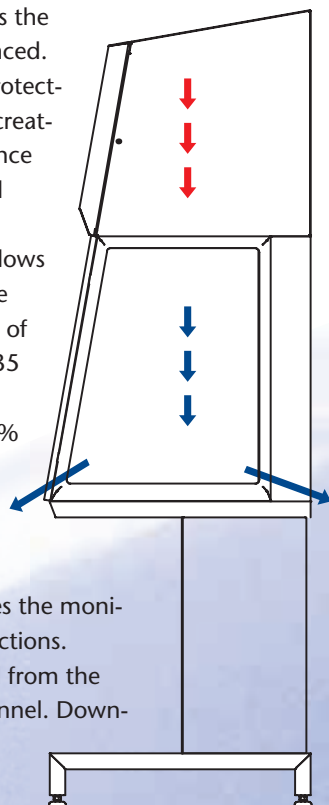
As standard, the table top is supplied in AISI 304 stainless steel. Available as options are AISI 316L stainless steel, or melamine in a choice of white and other colours.

Excellent clean air performance

A unique laminator system ensures the downflow air is uniform and balanced. This ensures the product is well protected with laminar flow clean air by creating a better flow with less turbulence at the work surface with improved antivibration characteristics.

This improved, uniform, airflow allows a reduced speed thus reducing the noise level and prolonging the life of the HEPA filter. The air speed is 0.35 m/s \pm 10% (min 0.32 m/s) compared to others at 0.40 m/s \pm 20% (min 0.32 m/s).

The digital blower system is controlled directly and precisely from the microprocessor. This improves velocity control and ensures the monitoring and warning of any malfunctions. The cabinet can easily be adjusted from the service mode by authorized personnel. Down-flow speeds can be adjusted from 0.25 m/s up to 0.55 m/s.



Accessories

A wide accessory program is available and the modular build design allows for the fitting of microscopes, heated work tops, waste systems, freeze dryers for clean air applications, etc.

Product

- 9.000.023.000 Fortuna 900
- 9.000.020.000 Fortuna 1200
- 9.000.022.000 Fortuna 1500
- 9.000.021.000 Fortuna 1800

Accessories

- | | | | |
|---------------|---|---------------|--|
| 9.000.020.001 | Stainless Steel table top for Fortuna 900 | 9.000.020.015 | Valve, gas |
| 9.000.020.002 | Stainless Steel table top for Fortuna 1200 | 9.000.020.016 | Valve, vacuum |
| 9.000.020.003 | Stainless Steel table top for Fortuna 1500 | 9.000.020.017 | Valve, carbon dioxide |
| 9.000.020.004 | Stainless Steel table top for Fortuna 1800 | 9.000.020.018 | Valve, nitrogen |
| 9.000.020.005 | White Melamin table top for Fortuna 900 | 9.000.020.019 | Valve, pressurised |
| 9.000.020.006 | White Melamin table top for Fortuna 1200 | 9.000.020.020 | Valve, oxygen |
| 9.000.020.007 | White Melamin table top for Fortuna 1500 | 9.000.020.021 | Electric outlet, single Danish left |
| 9.000.020.008 | White Melamin table top for Fortuna 1800 | 9.000.020.022 | Electric outlet, single German left |
| 9.000.020.011 | Adjustable support stand 80-85 cm 900 | 9.000.020.023 | Electric outlet, single British left |
| 9.000.020.012 | Adjustable support stand 80-85 cm 1200 | 9.000.020.024 | Electric outlet, single French left |
| 9.000.020.013 | Adjustable support stand 80-85 cm 1500 | 9.000.020.025 | Electric outlet, single Swiss left |
| 9.000.020.014 | Adjustable support stand 80-85 cm 1800 | 9.000.020.026 | Electric outlet, single US left |
| 9.000.020.101 | Electrical elevation stand 70-100 cm 900 | 9.000.020.027 | Electric outlet right side mounting please add |
| 9.000.020.102 | Electrical elevation stand 70-100 cm 1200 | 9.000.020.030 | Gas resetable solenoid valve |
| 9.000.020.103 | Electrical elevation stand 70-100 cm 1500 | 9.000.020.501 | IV bar 900 |
| 9.000.020.104 | Electrical elevation stand 70-100 cm 1800 | 9.000.020.502 | IV bar 1200 |
| 9.000.020.105 | Window in laminated hardened glass prepared with 3 holes for valves | 9.000.020.503 | IV bar 1500 |
| 9.000.020.107 | UV-light mounted on the backwall | 9.000.020.504 | IV bar 1800 |
| 9.000.020.108 | UV-light mounted on the front | 9.000.020.151 | Adjustable support stand 70-75 cm for Fortuna 900 |
| 9.000.020.111 | Adjustable support stand 90-95 cm 900 | 9.000.020.152 | Adjustable support stand 70-75 cm for Fortuna 1200 |
| 9.000.020.112 | Adjustable support stand 90-95 cm 1200 | 9.000.020.153 | Adjustable support stand 70-75 cm for Fortuna 1500 |
| 9.000.020.113 | Adjustable support stand 90-95 cm 1500 | 9.000.020.154 | Adjustable support stand 70-75 cm for Fortuna 1800 |
| 9.000.020.114 | Adjustable support stand 90-95 cm 1800 | | |



Nøglegårdsvej 20, Vassingerød, DK-3540 Lyngø
Phone +45 3940 2566, Mobile +45 3016 0990,
Telefax +45 4498 1741
scanlaf@scanlaf.dk, www.scanlaf.dk

Sales and Services

Titan

Compact 64 cm Clean air cabinet.



Titan PCR

Clean air cabinet with UV-light.



MedicSafe

Compact Safety Cabinet, 70 cm.



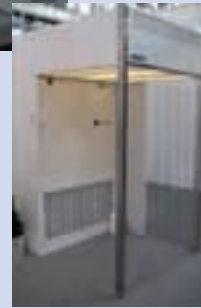
Mars

Class 2 and weighing Cabinet.



Industry

Down Flow Modules,
Powder recirculating units,
Glove boxes,
Air showers.



CoolSafe

4 litres to 60 litres Freeze dryers.
Chambers, Manifolds, Flasks
-55/-110°C.



HeatSafe - ChillSafe

Circulators, open waterbaths and re-
circulation cooling and heated baths.



VacSafe

Vacuum Pump 15 l/min; 30 mbar
Environmentally Friendly.

