

KF series automatic flake ice machines



Porkka Automatic Flake Ice Machines produce a dry free-flowing flake ice that is ideal for salad bar displays, cooling of white wines or champagne and cocktails where crushed ice is required. They can be used in hotels, restaurants, cafes and nightclubs when a more sophisticated display is required to enhance customer appeal.



KF85

KF models with fixed tank

The KF models have a easy-to-clean condenser supply air filter

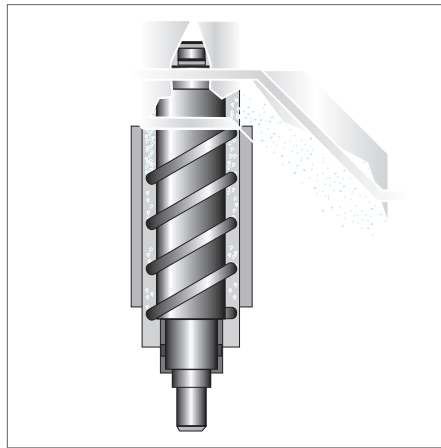
The ice is made in a cylinder, inside which a crushing screw produces small, high-quality flake ice. For more information on the KF-P models, which make compressed and even drier flake ice, contact our sales department.

The KF45 has 25 mm high adjustable feet for table use. The feet can be replaced by 140 mm adjustable feet, which are standard on larger models. Higher feet make it easier to use if the machine is installed on the floor. Additional price (4 pcs / pack) when delivery is with an ice machine.

Larger Ziegra ice machines with different ice coal sizes are priced according to separate offers. Yield from the Ziegra collection 30–10,000 kg / day. Ask more!

Features

- Bodywork made from stainless steel grade AISI 304
- One piece insulated and moulded food safe ABS plastic storage bin
- A spray system that produces clear, hygienic and durable ice cubes
- Fully automatic flake ice production
- All models equipped with a cleaning system
- All parts to be cleaned can be accessed without tools
- In large models, flake ice production is controlled by an infrared eye system in the ice drop tube



KF machines produce flake ice using the Auger method. Tried and tested over the years these machines produce quality flake ice at competitive prices.

Optional features

- Front ventilation for model KF 75
- Water cooled condenser
- Voltage 230V/60Hz or 115V/60Hz



KF45A



KF85A



KF145A



KF185A

| Technical information | KF45A | | KF85A | | KF145A | | KF185A | |
|-------------------------------|-----------------|----|-----------------|----|-----------------|-----|-----------------|-----|
| Outer surface | Stainless steel | | Stainless steel | | Stainless steel | | Stainless steel | |
| Air/water cooled | A | W | A | W | A | W | A | W |
| Production kg / day | 40 | 42 | 80 | 83 | 135 | 141 | 175 | 183 |
| Width (mm) | 345 | | 485 | | 680 | | 953 | |
| Depth (mm) | 520 | | 586 | | 588 | | 590 | |
| Height (mm) (adjustable feet) | 610 + (25) | | 720 + (140) | | 890 + (140) | | 781 + (140) | |
| Bin Storage (Kg) | 10 | | 25 | | 42 | | 60 | |
| Connection Power (kW) | 0.4 | | 0.4 | | 0.45 | | 0.69 | |
| Voltage | 230V/50Hz | | 230V/50Hz | | 230V/50Hz | | 230V/50Hz | |
| Gross Weight (kg) | 41 | | 59 | | 76 | | 89 | |
| Refrigerant | R290 | | R290 | | R290 | | R290 | |