

## Product Overview

# RapidStak™ Microplate Stacker



**Automate your instrument loading tasks for unattended operation using the fastest, most flexible stacker in its class.**

Researchers from academia to biotechnology to pharmaceuticals can now pair the high-productivity RapidStak microplate stacker with their new or existing instruments. It's the only stacker that can be easily upgraded to triple the capacity as your needs grow. The result is the industry's speediest, most expandable, most seamless stacking solution.

### The Advantages Stack Up

Laboratory automation frees you to concentrate on more important tasks. The RapidStak microplate stacker from Thermo Electron maximizes that walk-away time. Just fill the stacker with plates, start it, and walk away.

The RapidStak model holds 2 Staks, for a maximum capacity of 50 plates. Its larger version, the RapidStak 2x, holds 4 Staks handling up to 150 plates, giving you even greater walk-away time.

### The RapidStak Difference

- The fastest pick-and-place microplate stacking on the market
- As little as 6 seconds per plate load/unload
- Up to 300 plates per hour throughput
- Longer unattended run times
- Easy upgrade from base unit to 2x model for triple the capacity
- Rapid, easy setup in field, not factory, for least amount of instrument downtime
- Capability to quickly and seamlessly interchange Thermo instruments on one stacker

### The Reliable Choice

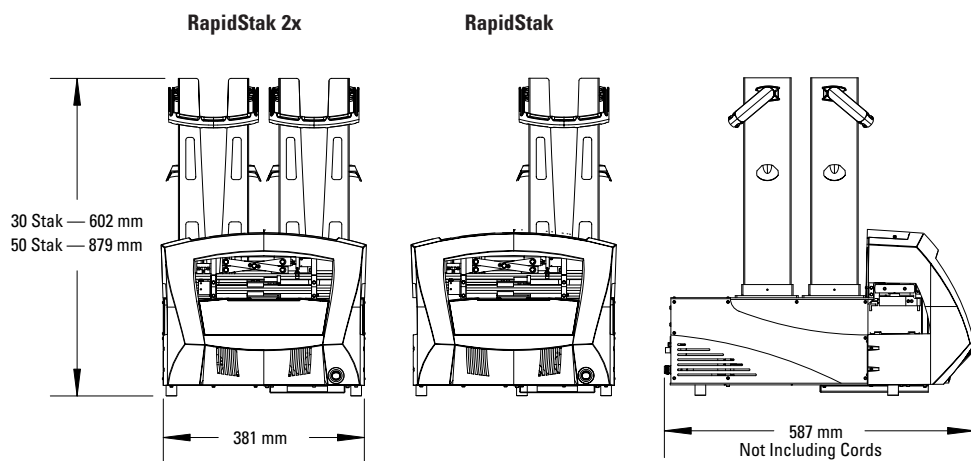
The RapidStak unit is built upon our heritage of robotics leadership and systems integration expertise, which generate the highest value in your research applications. The RapidStak is as tough and reliable as Thermo's proven CRS automation platforms.

## Thermo Services

Thermo is committed to helping your laboratory achieve success. Our solutions ensure that your Thermo automation systems are optimized for accuracy, productivity, and performance. We offer flexible solutions:

- Service agreements
- Preventive maintenance plans
- Software upgrades
- Software application support
- Technical support
- Integration services
- Relocation services
- Training

Contact a Thermo representative to tailor the service solution that best meets your needs.



### SPECIFICATIONS

Models	RapidStak — 2 Staks RapidStak 2x — 4 Staks
Microplate Types	SBS conforming plates 10-15 mm plate height, symmetrical (compatible plate list available upon request)
Speed	6 second plate delivery/retrieval Restacking ~6 seconds per plate
Throughput	Up to 300 plates per hour
Standard Magazine Stak Sizes	30- and 50-plate, quick-release, easy handling Staks
Plate Capacity (15 mm plates)	RapidStak — 50 plates RapidStak 2x — 150 plates
Upgrades	Interchangeable Staks Field upgradable from base unit to 2x 4-Stak model SkanIt™ controlled readers RS232 .NET interface Dual instrument loading
Safety Conformance	CE, CSA, UL
Power Requirements	110-230 volts, autoswitching
Operating Modes	Run, Pause, Restack, Ready, Stop
Patented Technologies	2-stage cam, telescoping bidirectional arm, electromechanical gripper, choreography, automated Stak locking and plate release

### Bioscience Technologies Division Laboratory Automation and Integration

5344 John Lucas Drive  
Burlington, ON  
L7L 6A6 Canada

P: (905) 332-2000  
F: (905) 332-1114  
E: sales.labautomation@thermo.com

Thermo, RapidStak, CRS, Multidrop, and SkanIt are trademarks of Thermo Electron Corporation.

BRO-LAI-RS-10/04  
0417014



RapidStak

RapidStak 2x

RapidStak  
Integrated with Multidrop®